

EC TYPE-APPROVAL CERTIFICATE

Communication concerning the

- ~~type-approval~~ ⁽¹⁾
- extension of type-approval ⁽¹⁾
- ~~refusal of type-approval~~ ⁽¹⁾
- ~~withdraw of type-approval~~ ⁽¹⁾

type-approval of a type of a separate technical unit with regard to Directive 70/157/EEC, as last amended by Directive 2013/15/EC.

Type-approval number:

e24*70/157*2007/34*2001*01

Reason for extension:

- Extension of application range*
- New tail pipes will be added*
- Update to Enclosures 1/01 and 2/01*

SECTION 1

- | | | |
|-------|--|--|
| 0.1 | Make (trade name of manufacturer): | MILLTEK |
| 0.2 | Type and general commercial description: | MSFD194-196
<i>(MSFD194 – Front Silencer</i>
<i>MSFD196 – Rear Silencer)</i> |
| | Variant(s): | MSFD194, MSFD196 (1) |
| 0.3 | Means of identification of type if marked on the separate technical unit ⁽¹⁾ ⁽²⁾ : | See Enclosure 2 of Test Report
13-00102-VA-GBM up to -01 |
| 0.3.1 | Location of that marking: | Embossing at the silencer below. |
| 0.4 | Category of vehicle ⁽³⁾ : | M1, |
| 0.5 | Name and address of manufacturer: | MILLTEK SPORT LTD,
Belfield Industrial Estate, Ilkeston,
GB-Derbyshire DE7 8DU. |
| 0.7 | In the case of components and separate technical units, location and method of affixing of the EC approval mark: | Marking on bottom of silencer |
| 0.8 | Address(es) of assembly plant(s): | MILLTEK SPORT LTD,
Belfield Industrial Estate, Ilkeston,
GB-Derbyshire DE7 8DU. |

Type-approval number:

e24*70/157*2007/34*2001*01

SECTION II

1. Additional information (where applicable): *See Addendum*
2. Technical Service responsible for carrying out the tests: **TÜV SÜD Auto Service GmbH,
Westendstraße 199,
D-80686 München,
Germany**
3. Date of test report: **19.06.2013**
4. Number of test report: **13-00102-VA-GBM up to 01**
5. Remarks (if any): *See Addendum*
6. Place: **Dublin**
7. Date: **21st July, 2017**
8. Signature: 
9. The index to the information package lodged with the approval authority, which may be obtained on request, is attached.
10. List of documents:
 1. Enclosure 1/01 Composition of the separate technical unit
 2. Enclosure 2/02 Field of application
 3. Technical report with annexes and drawings.





concerning the separate technical unit type-approval of exhaust systems for motor vehicles with regard to Directive 70/157/EEC, as last amended by Directive 2013/15/EC.

- | | | |
|-------|---|-----------------------|
| 1. | Additional information | |
| 1.1 | Composition of the separate technical unit: | (*) |
| 1.2 | Trade mark or trade name of the type(s) of motor vehicle to which the silencer is to be fitted ⁽¹⁾ | (*) |
| 1.3 | Type(s) of vehicle and its/their type-approval number(s): | (*) |
| 1.4 | Engine | |
| 1.4.1 | Type (positive ignition, diesel): | (*) |
| 1.4.2 | Cycles: two-stroke, four-stroke: | (*) |
| 1.4.3 | Total cylinder capacity: | (*) |
| 1.4.4 | Rated maximum engine power: | (*) kW |
| | - at: | (*) rev/min |
| 1.5 | Number of gear ratios: | (*) |
| 1.6. | Gear ratios employed: | (*) |
| 1.7 | Drive-axle ratio(s): | (*) |
| 1.8 | Sound level values | |
| | - moving vehicle: | (*) dB(A) |
| | speed stabilised before acceleration at: | (*) km/h |
| | - stationary vehicle: | (*) dB(A) |
| | at: | (*) rev/min |
| 1.9 | Value in back pressure: | (*) |
| 1.10 | Any restriction in respect of use and mounting requirements: | (*) |
| 5. | Remarks: | (*) = see Test Report |



concerning the separate technical unit type-approval of exhaust systems for motor vehicles with regard to Directive 70/157/EEC, as last amended by Directive 2013/15/EC.

- 1. Additional information
- 1.1 If necessary, list of vehicles covered by item 3.1.2.3.2.3. of Annex III of UN/ECE Regulation No 51: *N/A*
- 1.2 Engine
- 1.2.1 Manufacturer: *N/A*
- 1.2.2 Type: *N/A*
- 1.2.3 Model: *N/A*
- 1.2.4 Rated maximum power :kW atmin-1: *N/A*
- 1.3 Transmission (non-automatic gearbox/automatic gearbox): *N/A*
- 1.3.1 Number of gears: *N/A*
- 1.4 Equipment
- 1.4.1 Exhaust silencer
- 1.4.1.1 Manufacturer: *N/A*
- 1.4.1.2 Model: *N/A*
- 1.4.1.3 Type..... in accordance with drawing No.: *N/A*
- 1.4.2 Intake silencer:
- 1.4.2.1 Manufacturer: *N/A*
- 1.4.2.2 Model: *N/A*
- 1.4.2.3 Type..... in accordance with drawing No.: *N/A*
- 1.5 Tyre size: *N/A*
- 1.5.1 Description of tyre type used for type-approval testing: *N/A*
- 1.6 Measurements
- 1.6.1 Sound level of moving vehicle: *N/A*

Measurement Results			
	Left-hand side dB(A) ⁽¹⁾	Right-hand side dB(A) ⁽¹⁾	Position of gear lever
First measurement			
Second measurement			
Third measurement			
Fourth measurement			
Test result: dB (A)/E ⁽²⁾			
⁽¹⁾ The measurement values are given with the 1 dB (A) deduction in accordance with provisions of item 2.2.1 of Annex I.			
⁽²⁾ 'E' indicates that the measurements in question were conducted in accordance with this Directive.			



Type-approval number:

e24*70/157*2007/34*2001*01

1.6.2 Sound level of stationary vehicle: N/A

Measurement Results		
	dB (A)	Engine
First measurement		
Second measurement		
Third measurement		
Test result: dB (A)/E ⁽¹⁾		
⁽¹⁾ 'E' indicates that the measurements in question were conducted in accordance with this Directive.		

1.6.3 Sound level of compressed air noise: N/A

Measurement Results		
	Left-hand side dB(A) ⁽¹⁾	Right-hand side dB(A) ⁽¹⁾
First measurement		
Second measurement		
Third measurement		
Fourth measurement		
Test result: dB (A)		
⁽¹⁾ The measurement values are given with the 1 dB (A) deduction in accordance with provisions of item 2.2.1 of Annex I.		

5. Remarks: N/A

Index to the Information Package

Date of issue:	<i>3rd July, 2013</i>
Date of latest amendment:	<i>21st July, 2017</i>
Reason for extension/revision:	<i>-Extension of application range -New tail pipes will be added -Update to Enclosures 1/01 and 2/01</i>
1. Additional conditions, and advisory notes on legal alternatives	
2. Test report(s)	
- numbers(s):	<i>13-00102-VA-GBM up to 01</i>
- date of issue:	<i>19.06.2013</i>
- date of latest amendment:	<i>07.07.17</i>
3. Information document	
- number(s):	<i>MSFD194-196/ up to 01</i>
- date of issue:	<i>18.06.2013</i>
- date of latest amendment:	<i>06.07.17</i>
Documentation:	<i>13 pages</i>

Type-approval No:

e24*70/157*2007/34*2001*01

Appendix: **Additional conditions, and advisory notes on legal alternatives.**

A: Additional conditions:

1. The STU, Type MSFD194-196 contains the following type approval mark:

e24

 032001
The dimensions and proportions of this mark must correspond to the Directive.
All parts of the separate technical unit, other than the mounts and the exhaust pipe shall be legibly and durably labelled with the following information:
 - EC Type Approval mark
 - Manufacturer's trade description
 - Trademark or trade name of the manufacturerAs an alternative to using a plate for the above information, the information may be embossed on the silencer housing.
2. Mounting instructions shall be supplied with each unit, giving details of any limitations in the use of the silencer.
3. The silencer should be mounted in accordance with the mounting instructions.
4. The attached technical report, with any of its attachments, forms part of this Type Approval certificate.
5. Each individual product from series production shall be to the measurements specified in the attached drawings, and shall be manufactured only from the materials specified in the Approval documents.
6. Changes in the product are permitted only with the explicit permission of NSAI. Breaches of this requirement will lead to a withdrawal of the Type Approval, and in addition may be subject to criminal prosecution.
7. This Type Approval will expire when it is surrendered by the holder, or withdrawn by NSAI, or when the approved type of product no longer conforms to legal requirements. The recall of the Type Approval can be issued by NSAI when the conditions required for the issuing or continuation of the Type Approval are no longer current, or when the Approval holder is in breach of the duties attached to the Type Approval, or when it is established that the approved type no longer meets the requirements of traffic safety.
8. NSAI may at any time check the correct performance of the duties imposed by the grant of this Type Approval, and in order to do so, may make tests, or have tests made.
9. Changes in the company name, address or manufacturing site, as well as in any of the sales or other agents specified in the issuing of the approval must immediately be notified to the NSAI.
10. The duties imposed by the issuing of this certificate are not transferable. The legal protection of third parties is not affected by this certificate.
11. When the manufacture or sale of the vehicle, system, component or separate technical unit has not been started within one year of the date of issue of this certificate, then NSAI is to be informed. This requirement also applies when the manufacture or sale has been halted for more than one year, or when it ought to have been halted for more than one year. The initial commencement of manufacture or sale, or the resumption of manufacture or sale, shall then be notified to NSAI within one month of commencement or resumption.

B : Legal Options

Any objection to the requirements set out in this certificate shall be made within one month of the date of issue. The objection shall be made, in writing, to NSAI in Dublin.

Prüfbericht Nr. / *Test report no.* 13-00102-VA-GBM-01
Hersteller / *Manufacturer:* MILLTEK SPORT LTD, GB-Derbyshire DE7 8DU
Typ / *Type:* MSFD194-196

**PRÜFBERICHT
ERWEITERUNG 01
TEST REPORT
EXTENSION 01**

Nr. / *no.* 13-00102-VA-GBM-01

über die Prüfung eines Ersatzauspuffsystems oder
eines Bauteils davon als selbständige technische Einheit gemäß

der Richtlinie des Rates der Europäischen Gemeinschaften zur Angleichung der
Rechtsvorschriften der Mitgliedstaaten über den zulässigen Geräuschpegel und die
Auspuffvorrichtung von Kraftfahrzeugen /

*about a test of an exhaust system or a component of
a type of separate technical unit for motor vehicles
in according to directive of the Council of the European Community for approximation of the
laws of the Member States relating to
the sound level and replacement silencers for motor vehicles*

Nr. 70/157/EWG vom 06.02.1970
einschließlich aller Änderungen bis
Nr. 2007/34/EG vom 14.06.2007 /

*No. 70/157/EEC dated 06.02.1970
including all amendments up to and including
No. 2007/34/EC dated 14.06.2007*

Genehmigungsstand / <i>Approval status</i>	
<input type="checkbox"/>	Erteilung einer Typpgenehmigung / <i>Granting of a type approval:</i> --
<input checked="" type="checkbox"/>	Erweiterung / Änderung zur Typpgenehmigung Nr. / <i>Extension / correction to type approval</i> e24*70/157*2007/34*2001*00 <i>no.:</i>

Prüfbericht Nr. / *Test report no.* 13-00102-VA-GBM-01

Hersteller / *Manufacturer:* MILLTEK SPORT LTD, GB-Derbyshire DE7 8DU

Typ / *Type:* MSFD194-196

Gründe der Erweiterung / *Reasons for extension*

Es wird geändert /

It will be changed:

Der Verwendungsbereich wird erweitert. /
Extension of application range

Neue Endrohrvariant. werden hinzugefügt. /
New tail pipes will be added.

Es wird aktualisiert /

It will be updated:

Anlagen 1/01 und 2/01 /
Enclosures 1/01 and 2/01.

0. Allgemeine Angaben / *General information*

0.1. Fabrikmarke / *Make:*

Milltek

0.2. Typ / *Type:*

MSFD194-196

0.2.1. Varianten (Anzahl) /
Variants (numbers):

MSFD194, MSFD196 (1)

0.4. Name und Anschrift des
Herstellers /
*Name and address of
manufacturer:*

MILLTEK SPORT LTD
Belfield Industrial Estate, Ilkeston
GB-Derbyshire DE7 8DU

0.5. Nr. der Beschreibungsmappe/
No. of information document:
Ausgabedatum / *Date:*

MSFD194-196/01
06.07.17

1. Beschreibung der Fahrzeuge, für
die die Einrichtung bestimmt ist /
*Description of the vehicles
the unit is used for:*

siehe Anlage 2/01 / *notice enclosure 2/01*

Prüfbericht Nr. / *Test report no.* 13-00102-VA-GBM-01

Hersteller / *Manufacturer:* MILLTEK SPORT LTD, GB-Derbyshire DE7 8DU

Typ / *Type:* MSFD194-196

2. Angaben zum Prüfobjekt / Composition of the separate technical unit

- 2.1. Art des Ersatzschalldämpfers /
Kind of replacement silencer: unverändert / *without changes*
- 2.2. Zusammensetzung der technischen
Einheit /
*Composition of the separate
technical unit:* siehe Anlage 1/01 / *notice enclosure 1/01*
- 2.3. Lage und Richtung des Endrohrs /
Position and direction of the tail pipe: unverändert / *without changes*

3. Prüfprotokoll / Test report

Auf erneute Prüfungen konnte verzichtet werden, da die neu hinzugekommenen Fahrzeuge serienmäßig mit der gleichen Schalldämpferanlage ausgerüstet sind und durch die bisherigen Messungen abgedeckt sind.
Für die neuen Endrohrvarianten sind keine weiteren Messungen notwendig. /
*New testing of the replacement silencer wasn't necessary because the new vehicles have in original the same exhaust system and are covered by former tests.
For new tail pipe variants new testings are not necessary.*

4. Anlagen / Enclosures

Anlage 1/01 Teile der technischen Einheit (1 Seite / *Page*)
Enclosure 1/01 Composition of the separate technical unit

Anlage 2/01 Verwendungsbereich (1 Seite / *Page*)
Enclosure 2/01 Field of application

Prüfbericht Nr. / *Test report no.* 13-00102-VA-GBM-01

Hersteller / *Manufacturer:* MILLTEK SPORT LTD, GB-Derbyshire DE7 8DU

Typ / *Type:* MSFD194-196

5. Schlußbescheinigung / Statement of conformity

Die unter Ziffer 0.5 erwähnte Beschreibungsmappe und der darin beschriebene Typ entsprechen der genannten Prüfgrundlage.

Der ungünstigste Fall wurde entsprechend Prozessbeschreibung „Erstellung von Gutachten“ bestimmt.

Der Prüfbericht darf nur vom Auftraggeber und nur in vollem Wortlaut vervielfältigt und weitergegeben werden. Eine auszugsweise Vervielfältigung und Veröffentlichung des Prüfberichtes ist nur nach schriftlicher Genehmigung des Prüflaboratoriums zulässig.

Es lag der Prüfbericht Nr. 13-00102-VA-GBM-00 des Technischen Dienstes der TÜV SÜD Automotive GmbH einschließlich aller zur Bewertung erforderlichen Unterlagen und Messergebnisse vor. Die genannten Prüfberichte gelten weiterhin für den Teiletyp. Dieser Prüfbericht behandelt zusammenfassend und vollständig den Gesamtumfang der Typprüfung einschließlich der Dokumentation des Fahrzeugteiles. /

The information folder stated at item 0.5 and the type described therein are in compliance with the test specification mentioned above.

The worst-case was selected in accordance with document "Preparation of Test Reports".

The test report may be reproduced and published in full and by the client only. It can be reproduced partially with the written permission of the test laboratory only.

Test report no. 13-00102-VA-GBM-00 issued by the Technical Service of TÜV SÜD Automotive GmbH plus all documents and measurement results necessary for evaluation had been submitted. The above test report continue to apply to the type of vehicle component. This test report provides a summary of, and covers the full scope of, type testing, including the documentation of the vehicle component.

Prüfbericht Nr. / *Test report no.* 13-00102-VA-GBM-01

Hersteller / *Manufacturer:* MILLTEK SPORT LTD, GB-Derbyshire DE7 8DU

Typ / *Type:* MSFD194-196

5. **Schlußbescheinigung** (Fortsetzung) / **Statement of conformity** (continuation)

Benannt als Technischer Dienst durch /
designated as Technical Service by:

Genehmigungsbehörde <i>Approval authority</i>	Land <i>Country</i>	Registriernummer <i>Registration number</i>	Aktueller Benennungsumfang <i>Actual scope list</i>
Kraftfahrt-Bundesamt (KBA)	Deutschland <i>Germany</i>	KBA-P 00100-10	http://www.kba.de
Vehicle Certification Agency (VCA)	Vereinigtes Königreich <i>United Kingdom</i>	VCA-TS-006	http://ec.europa.eu/enterprise/sectors/automotive/approval-authorities-technical-services/technical-services/index_en.htm
Approval Authority of the Netherlands (RDW)	Niederlande <i>The Netherlands</i>	RDWT-082-01	
National Standards Authority of Ireland (NSAI)	Irland <i>Ireland</i>	Technical Service Number: 49	

Dieser Bericht umfasst Seite 1 bis 5. /
This test report contains the pages 1 up to 5.

München, 07.07.17



Dipl.-Ing. (FH) M. Ebert
Sachverständiger / *Recognized Expert*

ebt

MSFD194-196_01.doc



ANLAGE 1/01
ENCLOSURE 1/01

zum Prüfbericht Nr. / to test report no. 13-00102-VA-GBM-01
Typ / Type: MSFD194-196
Hersteller / Manufacturer: MILLTEK SPORT LTD
GB-Derbyshire DE7 8DU

Teile der technischen Einheit + Originalteile/Ersatzteile = Gesamtauspuffanlage /
Composition of the separate technical unit

Lfd. Nr. nach Zeichnung / No. see in drawing	Einzelteile, Abmessungen in mm / Components parts, dimensions in mm	Abmessungen des Teiles in mm bzw. Originalteil / Ersatzteil / Dimensions of the part in mm or original part / replacement part	Teilenummer bzw. Genehmigungsnummer / Part no. or homologation no.
1)	Katalysator / Catalytic converter	Originalteil / Original part	-
2a)	Vorschalldämpfer / Front silencer (Eintrittsrohr / Inlet pipe Ø 70 Austrittsrohr / Outlet pipe Ø 70)	oval LW / inside 175 x LW / inside 102 x 300 lg	MSFD194
3a)	Zwischenrohr / Intermediate pipe	Ersatzteil / Replacement part	MSFD195
4a)	Nachschalldämpfer / Rear silencer (1 Eintrittsrohr / Inlet pipe Ø 70 2 Austrittsrohre / Outlet pipes Ø 50,8)	oval LW / inside 217 x LW / inside 166 x 500 lg	MSFD196
5a)	2 Endrohre / Tail pipes Ø 80 x 170	Ersatzteile / Replacement parts	MSVW370 / MSTIP177
5b)	2 Endrohre / Tail pipes Ø 80 x 170	Ersatzteile / Replacement parts	MSTIP192 / MSTIP220
5c)	2 Endrohre / Tail pipes Ø 76 x 175	Ersatzteile / Replacement parts	MSTIP224

MSFD194-196_11.doc

**ANLAGE 2/01
ENCLOSURE 2/01**

zum Prüfbericht Nr. / to test report no. 13-00102-VA-GBM-01
Typ / Type: MSFD194-196
Hersteller / Manufacturer: MILLTEK SPORT LTD
GB-Derbyshire DE7 8DU

Verwendungsbereich (Fahrzeugdaten) / Field of application

Lfd. Nr. Fahrzeug /	Hersteller /	Fabrikmarke /	Handelsbezeichnung /	Fahrzeugtyp (und Genehmigungsnummer) /	Fahrzeugklasse /	Motortyp (Verbrennungsverfahren) /	Art des Motors /	Hubraum in cm ³ /	Nennleistung in kW/min ⁻¹ /	Anordnung entspr. Anlage 1/01 lfd. Nr. /		
No. of vehicle	Manufacturer	Trade mark	Commercial description	Vehicle type (and no. of homologation)	Category of vehicle	Engine type (type of combustion)	Stroke	Engine capacity in cm ³	Rated maximum engine power in kW/min ⁻¹	Composition as shown in enclosure 1/01 no.		
laufende Nummer der Anlage zum EG-Typgenehmigungsbogen / No. addendum to EC Type-approval certificate												
1)		FORD (D)	Ford	Fiesta	JA8 (e9*...*0069*)	M1	JTJA JTJB	Otto / spark ignition	4-Takt / 4-stroke	1596	134/5700	1)2a)3a)4a)5a) / 1)2a)3a)4a)5b) / 1)2a)3a)4a)5c)
2)												

MSFD194-196_21.doc

Beschreibungsbogen Nr. MSFD194-196/01 betreffend die EG-Typgenehmigung als selbständige technische Einheit einer Auspuffvorrichtung für Kraftfahrzeuge (Richtlinie 70/157/EWG, zuletzt geändert durch die Richtlinie 2007/34/EG) / Information Document No. MSFD194-196/01 according to EC type approval as separate technical unit of exhaust systems for motor vehicles (Directive 70/157/EEC, as last amended by Directive 2007/34/EC)

Blatt / Page 1

0. Allgemeines / General informations

- 0.1. Fabrikmarke / *Make*: MILLTEK
- 0.2. Typ und allgemeine Handelsbezeichnung(en) / *Type and commercial designations*: MSFD194-196
(MSFD194 - Front silencer
MSFD196 – Rear silencer)
- 0.5. Name und Anschrift des Herstellers / *Name and address of manufacturer*: MILLTEK SPORT LTD
Belfield Industrial Estate Ilkeston,
Derbyshire. DE7 8DU
- 0.7. Art und Ort der Kennzeichnung / *Kind and place of marking*: Typschild auf der Unterseite der Schalldämpfer / *Type shield at the silencers below*
- 0.8. Anschrift(en) der Fertigungsstätten / *Address of making plant*: siehe 0.5 / *see 0.5*

1. Beschreibung des Fahrzeugs, für das die Einrichtung bestimmt ist / Description of the vehicles the unit is used for:

- 1.1. Fabrikmarke / *Make*: siehe Anlage 2 des Technischen Berichts / *see enclosure 2 of the test report*
- 1.2. Typ und allgemeine Handelsbezeichnungen / *Type and commercial designations*: siehe Anlage 2 des Technischen Berichts / *see enclosure 2 of the test report*
- 1.3. Merkmale zur Typidentifizierung, sofern vorhanden / *Means of identification of type if marked*: siehe Anlage 2 des Technischen Berichts / *see enclosure 2 of the test report*
- 1.4. Fahrzeugklasse / *Category of vehicle*: siehe Anlage 2 des Technischen Berichts / *see enclosure 2 of the test report*
- 1.5. EG-Typgenehmigungsnummer in bezug auf den Geräuschpegel / *EC-homologation no. concerning the sound level*: siehe Anlage 3 des Technischen Berichts / *see enclosure 3 of the test report*

Beschreibungsbogen Nr. MSFD194-196/01 betreffend die EG-Typgenehmigung als selbständige technische Einheit einer Auspuffvorrichtung für Kraftfahrzeuge (Richtlinie 70/157/EWG, zuletzt geändert durch die Richtlinie 2007/34/EG) / Information Document No. MSFD194-196/01 according to EC type approval as separate technical unit of exhaust systems for motor vehicles (Directive 70/157/EEC, as last amended by Directive 2007/34/EC)

Blatt / Page 2

2. Beschreibung dieser Einrichtung / Description of technical unit:

2.1. Beschreibung der Ersatzauspuffanlage mit Angabe der Anordnung / *Description of replacement exhaust system incl. composition:*

: siehe Anlage 2 des Technischen Berichts / *see enclosure 2 of the test report*

2.2. Detaillierte Zeichnungen jedes Bauteils, aus denen Anordnung und Merkmale hervorgehen. In diesen Zeichnungen ist die für die vorgeschriebene Anbringung des EG-Typgenehmigungszeichens vorgesehene Stelle anzugeben / *Detailed drawings of every part to see composition and means. In these drawings the place of the type-approval-sign is to mark.*

Anlagen / Enclosures

Zeichnungsnr. / no. of drawing:

Datum / Date:

Zeichnung Gesamtanlage / *Drawing exhaust system:*

T0053
AT1109
AT1166
AT1181

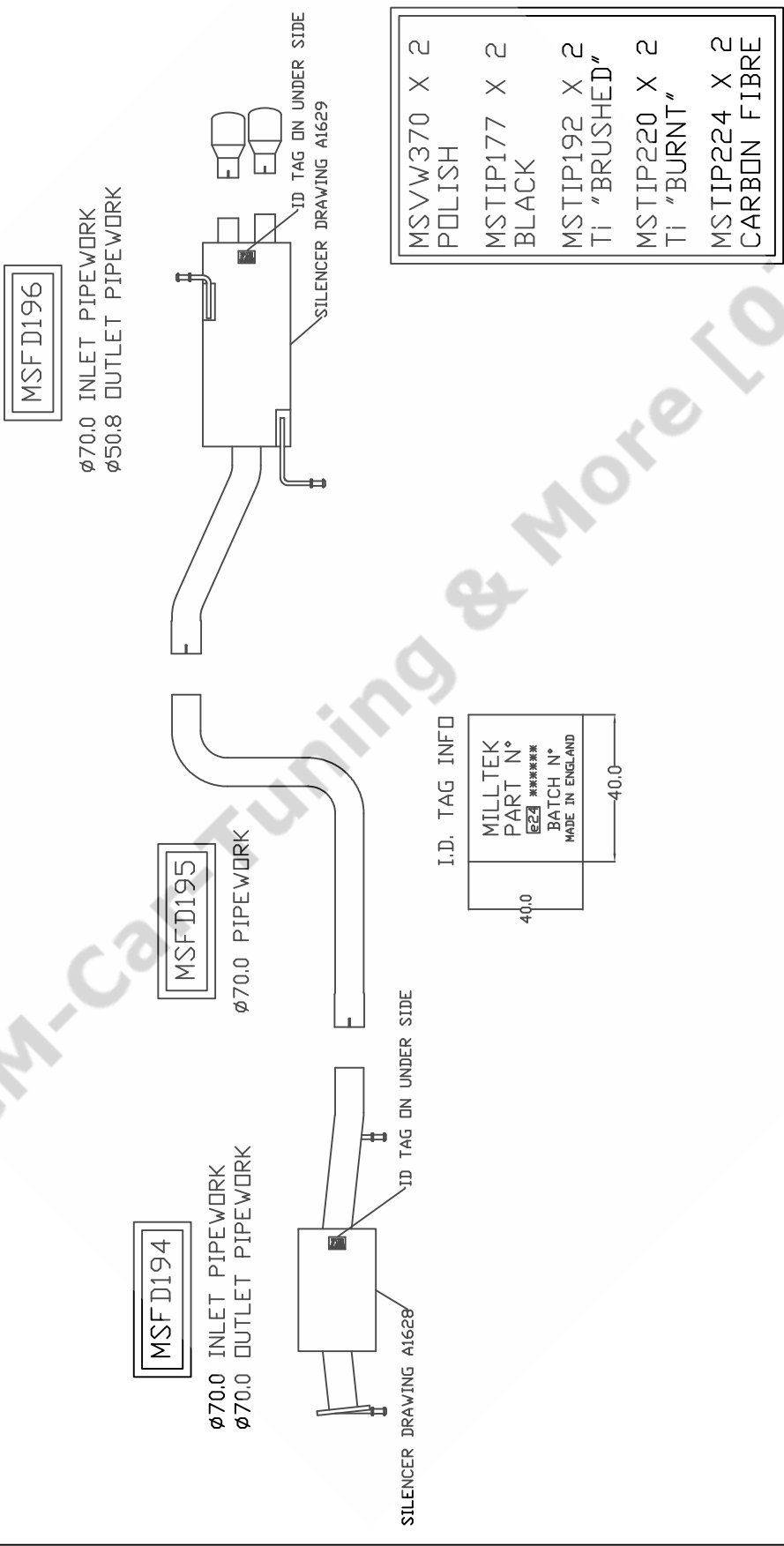
06.07.17
21.10.13
15.07.16
17.02.17

06.07.17



Datum, Unterschrift / *Date, signature*

DRAWING No. T0053	REVISION DETAILS		SIGN	
	REV	DATE		DJM
	A	18/06/2013		DJM
	B	06/07/2017	DJM	
		SYSTEM DRAWING PRODUCED ON CAD		
		DETAILS FOR EU6 JTJB ENGINE CODE ADDED		



© This drawing is the property of Milltek Sport Ltd
 may only be used with permission.

FORD FIESTA ST 2013 - 2015 EU5 JTJA
 FORD FIESTA ST 2016 - EU6 JTJB

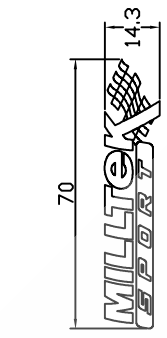
ALL DIMENSIONS IN MM U. D. S.		TOLERANCES	SCALE	DRAWN	DRAWING No.
GENERAL EXHAUST ARRANGEMENT		OPEN: ±0.4	1:1	DJM	T0053
USED ON:- FORD FIESTA ST 2013-		0.0: ±0.25	THIRD ANGLE	DATE	
		0.00: ±0.1		18/06/13	

DRAWING No.
AT1109

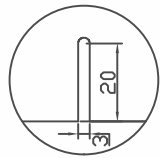
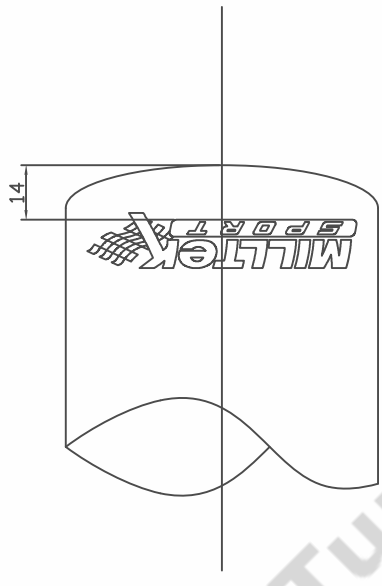
PRODUCTION
RELEASE

REV	DATE	REVISION DETAILS	SIGN
A	17/05/2011	TRIM DRAWING PRODUCED ON CAD	DJM
B	21/10/2013	LOGO INFORMATION ADDED	DJM

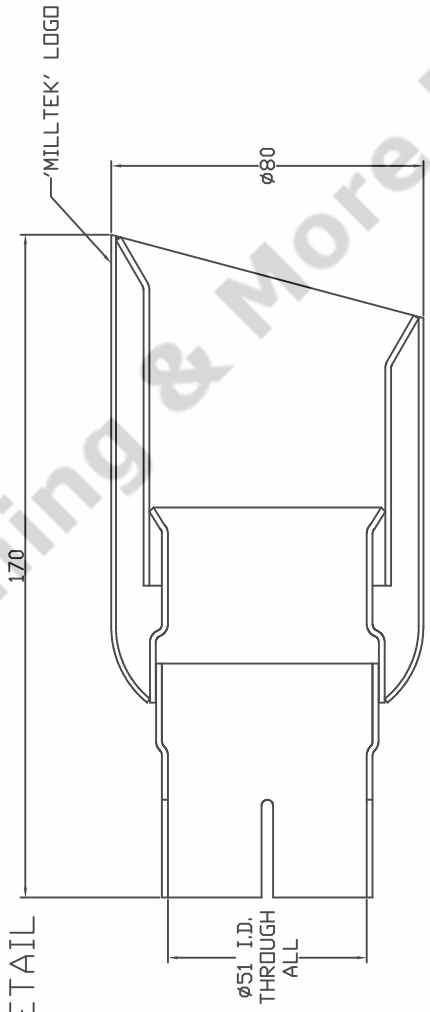
This drawing is the property of Milltek Sport Limited and may only be used with permission.



LOGO DETAIL



SLOT DETAIL



SIMILAR CONSTRUCTION TO AT1079

APPROVED FOR PROD BY.....				SIZE ONE END UP TO 457 O.D. X 20MM LONG & PUNCH 4 SLOTS OPPOSITE END			
B	SLEEVE	212515304	1	304	Ø54 X 60 X 1.5	Ø54 X 60 X 1.5	BOUGHT IN COMP
A	TRIM	AT1079	1	304	BOUGHT IN COMP		
ITEM DESCRIPTION		PART No	QTY	MATL	SIZE	FORM	
DIMENSIONS IN mm U. D. S.		GT-80 TRIM ASSEMBLY					
USED ON:-VARIOUS		DRAWN		DRAWING No.		AT1109	
		DATE		THIRD ANGLE		DATE	
		17/05/11		1:1		17/05/11	
		0.00:- ±0.1		0.0:- ±0.25		0.0:- ±0.4	
		0.0:- ±0.1		1:1		1:1	
		0.00:- ±0.1		1:1		1:1	

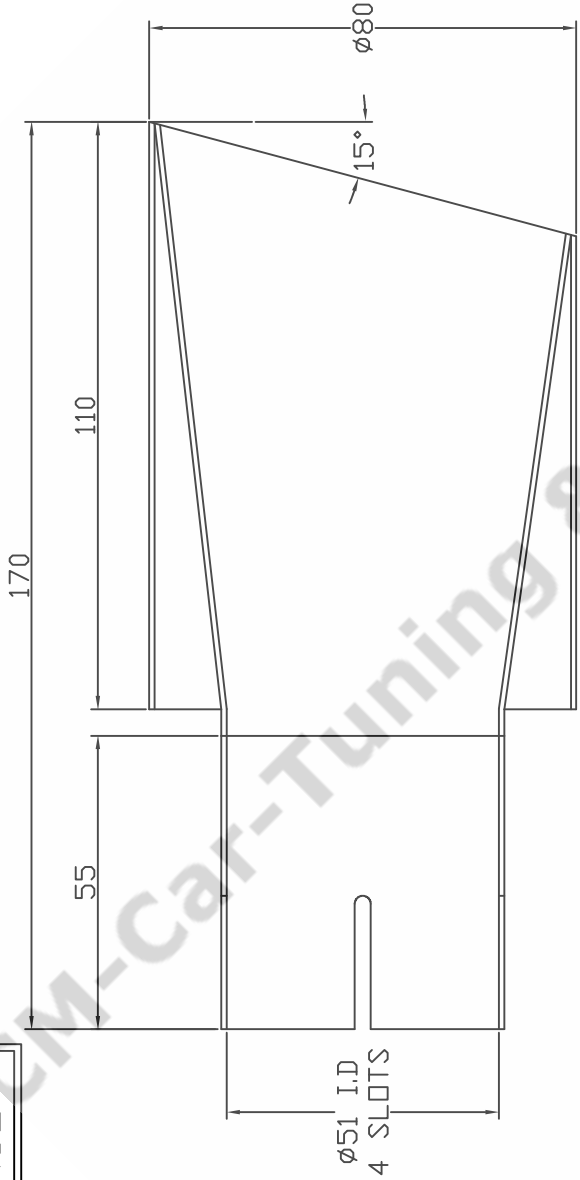
MILLTEK SPORT LIMITED
BELFIELD INDUSTRIAL ESTATE
ILKESTON, DERBYSHIRE, DE7 8DU
TEL:-0115 8508690 FAX:-0115 9440366

e24*70157*2007134*2001*01

DRAWING No.
AT1166

PRODUCTION
RELEASE

REV	DATE	REVISION DETAILS	SIGN
A	15/01/2015	TRIM DRAWING PRODUCED ON CAD	DJM
B	15/07/2016	"BURNT" OPTION ADDED	DJM



This drawing is the property of Milltek Sport Limited and may only be used with permission.



PART No	MATERIAL STOCK REF	FINISH
MSTIP192	AT1166	BRUSHED
MSTIP220	AT1166XX	"BURNT"

MATERIAL - 1.0MM Ti

FINISH - BRUSH EXTERNAL BODY & CONE INTERNAL

APPROVED FOR PROD BY

MILLTEK SPORT LIMITED
BELFIELD INDUSTRIAL ESTATE
ILKESTON, DERBYSHIRE, DE7 8DU
TEL:-0115 8508690 FAX:-0115 9440366

ITEM DESCRIPTION PART No QTY MATL SIZE FORM

DIMENSIONS IN mm U. D. S.

GT-80 TITANIUM TIP ASSEMBLY

USED ON:-VARIOUS

TOLERANCES	SCALE	DRAWN	DRAWING No.
OPEN:- ±0.4	1:1	DJM	AT1166
0.0:- ±0.25	THIRD ANGLE	DATE	
0.00:- ±0.1		15/01/15	

e24*70/157*2007/34*2001*01

DRAWING No.
AT1181

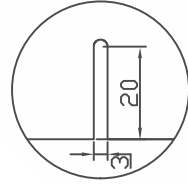
PRODUCTION
RELEASE

REV A DATE 17/02/2017

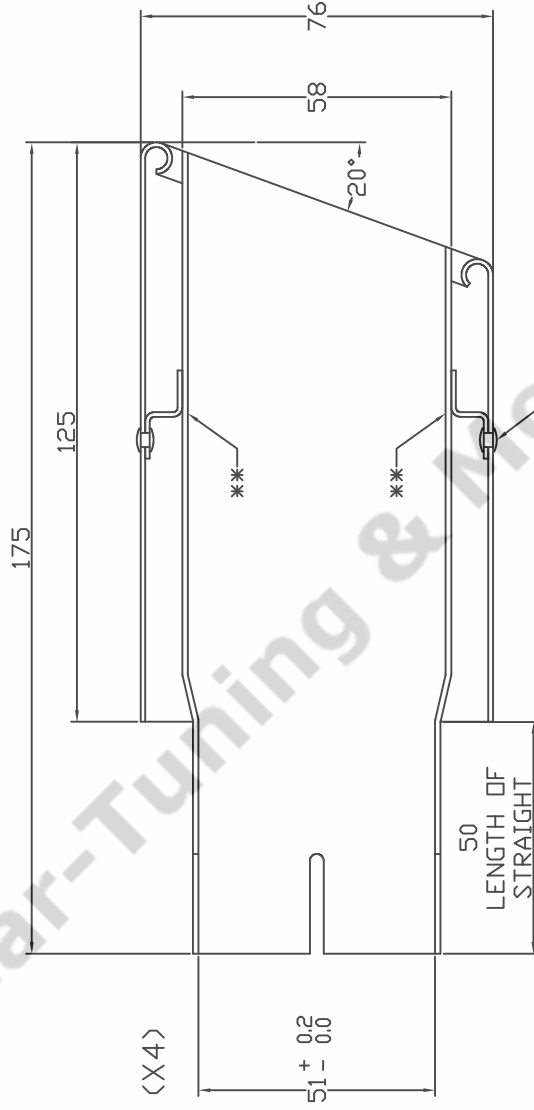
REVISION DETAILS
TRIM DRAWING PRODUCED ON CAD

SIGN
DJM

This drawing is the property of Milltek Sport Limited and may only be used with permission.



SLOT DETAIL (X4)



CARBON SLEEVE SPEC & METHOD OF FIXING - TO SUIT SUPPLIER

** - INTERNAL SURFACES OF INNER TUBE TO BE BLACK FINISH

APPROVED FOR PROD BY

MILLEK SPORT LIMITED
BELFIELD INDUSTRIAL ESTATE
ILKESTON, DERBYSHIRE, DE7 8DU
TEL:-0115 8508690 FAX:-0115 9440366

DIMENSIONS IN mm U. O. S.

76MM JET -CARBON TIP ASSY

USED ON:-VARIOUS

TOLERANCES	SCALE	DRAWN	DRAWING No.
OPEN:- ±0.4	1 : 1	DJM	AT1181
0.0:- ±0.25	THIRD ANGLE	DATE	17/02/17
0.00:- ±0.1			

e24*70157*200734*2001*01

EU TYPE-APPROVAL CERTIFICATE

Communication concerning: ~~-EU type-approval⁽¹⁾~~
~~-Extension of EU type-approval⁽¹⁾~~
~~-Refusal of EU type-approval⁽¹⁾~~
~~-Withdrawal of EU type-approval⁽¹⁾~~

of a type of a separate technical unit with regard to the sound level (Regulation (EU) No 540/2014).

EU type-approval number: **e24*540/2014*540/2014A*0012*00**

Reason for extension: *-N/A*

SECTION I


- 0.1. Make (trade name of manufacturer): ***MILLTEK***
- 0.2. Type and general commercial description(s): ***MSFD194-196 (1)***
(MSFD194 – Front silencer)
MSFD196 – Rear silencer)
- 0.3. Means of identification of type if marked on the separate technical unit ⁽²⁾: ***Type shield***
- 0.3.1. Location of that marking: ***At the silencer below***
- 0.4. Category of vehicle ⁽³⁾: ***M1***
- 0.5. Company name and address of the manufacturer: ***MILLTEK SPORT LTD***
Belfield Industrial Estate
Ilkeston,
GB-Derbyshire DE7 8DU
- 0.7. In the case of components and separate technical units, location and method of affixing of the EU type-approval mark: ***Type shield, at the silencer below***
- 0.8. Name(s) and address(es) of assembly plant(s): ***MILLTEK SPORT LTD***
Belfield Industrial Estate
Ilkeston,
GB-Derbyshire DE7 8DU
- 0.9. Name and address of the manufacturer's representative (if any): ***N/A***



EU type-approval number:

e24*540/2014*540/2014A*0012*00

SECTION II

1. Additional information (where applicable): *See Addendum*
2. Technical service responsible for carrying out the tests: *TÜV SÜD Auto Service GmbH,
Westendstraße 199,
D-80686 München,
Germany*
3. Date of test report(s): *04.09.2018*
4. Number of test report(s): *18-00076-VA-GBM-00*
5. Remarks (if any): *See Addendum*
6. Place: *Dublin*
7. Date: *24th September, 2018*
8. Signature 



9. The index to the information package lodged with the approval authority, which may be obtained on request, is attached.

Attachments:

- Information package
- Test report

⁽¹⁾ Delete where not applicable.

⁽²⁾ If the means of identification of type contains characters not relevant to describe the vehicle types covered by the type-approval certificate such characters shall be represented in the documentation by the symbol: '?' (e.g. ABC??123??).

⁽³⁾ As defined in Annex IIA to Directive 2007/46/EC.

Addendum
to EU type-approval certificate Number **e24*540/2014*540/2014A*0012*00**

1. Additional information

1.1. Description of the vehicle for which the device is intended (if the device is intended to be fitted to more than one vehicle type, the information requested under this point shall be supplied for each type concerned)

- | | |
|---|--|
| 1.1.1. Make (trade name of manufacturer): | FORD (D) |
| 1.1.2. Type and general commercial description(s): | JA8
Fiesta ST200 |
| 1.1.3. Means of identification of type, if marked on the vehicle: | N/A |
| 1.1.4. Category of vehicle: | M1 |
| 1.1.5. EU whole vehicle type-approval number: | See enclosure 2 of test report |
| 1.2. Power plant: | |
| 1.2.1. Manufacturer of the engine: | FORD |
| 1.2.2. Manufacturer's engine code: | JTJC |
| 1.2.3. Maximum net power (g):
or maximum continuous rated power (electric motor) | 147 kW at 6000 min⁻¹ |
| 2. Test results | |
| 2.1. Sound level of moving vehicle: | 70.2 dB(A) |
| 2.2. Sound level of stationary vehicle: | 88 dB(A) at 3750 min⁻¹ |
| 2.3. Value of the back pressure: | See enclosure 3 of test report |
| 3. Remarks: | N/A |

Index to the Information Package

Date of issue:	<i>24th September, 2018</i>
Date of latest amendment:	<i>N/A.</i>
Reason for extension/revision:	<i>N/A</i>
1. Additional conditions, and advisory notes on legal alternatives	
2. Test report(s)	
- numbers(s):	<i>18-00076-VA-GBM-00</i>
- date of issue:	<i>04.09.2018</i>
- date of latest amendment:	<i>N/A</i>
3. Information document	
- number(s):	<i>MSFD194-196</i>
- date of issue:	<i>03.09.2018</i>
- date of latest amendment:	<i>N/A</i>
Documentation:	<i>22 pages</i>



EU type-approval number:

e24*540/2014*540/2014A*0012*00

Appendix: Additional conditions, and advisory notes on legal alternatives

A: Additional conditions:

1. The attached technical report, with any of its attachments, forms part of this Type Approval certificate.
2. Each type from series production shall be to the measurements specified in the attached drawings, and shall be manufactured only from the materials specified in the Approval documents.
3. Changes in the type are permitted only with the explicit permission of NSAI. Breaches of this requirement will lead to a withdrawal of the Type Approval, and in addition may be subject to criminal prosecution.
4. At regular intervals, any tests or associated checks prescribed by the applicable legislation to verify continued conformity with the approved type shall be carried out. The manufacturer shall demonstrate compliance with this by submitting to NSAI evidence of adequate arrangements and documented control plans for each type approved.
5. Any set of samples or test pieces showing evidence of non-conformity shall give rise to further sampling and testing and all steps shall be taken to restore conformity of production.
6. This Type Approval will expire when it is surrendered by the holder, or withdrawn by NSAI, or when the approved type no longer conforms to legal requirements. The recall of the Type Approval can be issued by NSAI when the conditions required for the issuing or continuation of the Type Approval are no longer current, or when the Approval holder is in breach of the duties attached to the Type Approval, or when it is established that the approved type no longer meets the requirements of traffic safety.
7. Changes in the company name, address or manufacturing site, as well as in any of the sales or other agents specified in the issuing of the approval must immediately be notified to NSAI.
8. The duties imposed by the issuing of this certificate are not transferable. The legal protection of third parties is not affected by this certificate.
9. When the manufacture or sale of the system, component or separate technical unit has not been started within one year of the date of issue of this certificate, then NSAI is to be informed. This requirement also applies when the manufacture or sale has been halted for more than one year, or when it ought to have been halted for more than one year. The initial commencement of manufacture or sale, or the resumption of manufacture or sale, shall then be notified to NSAI within one month of commencement or resumption.

B: Legal Options:

Any objection to the requirements set out in this certificate shall be made within one month of the date of issue. The objection shall be made, in writing, to NSAI in Dublin.

PRÜFBERICHT TEST REPORT

Nr. / no. 18-00076-VA-GBM-00

über den Geräuschpegel von Austauschschalldämpferanlagen oder
Bauteilen davon als selbständige technische Einheit gemäß
Anh. IX der VO (EU) Nr. 540/2014
des Europäischen Parlaments und des Rates v. 16.04.2014
geändert durch VO (EU) Nr. 2017/1576 v. 26.06.2017

*about sound level of replacement silencing systems or components of
a type of separate technical unit for motor vehicles amending
Annex IX Regulation (EU) No. 540/2014
of the European Parliament and of the Council dated 16.04.2014
ammended by Regulation (EU) no. 2017/1576 dated 26.06.2017*

Genehmigungsstand / Approval status	
<input checked="" type="checkbox"/>	Erteilung einer Typgenehmigung / <i>Granting of a type approval:</i> e24*540/2014*540/2014A*0012*00
<input type="checkbox"/>	Erweiterung / Änderung zur Typgenehmigung Nr. / <i>Extension / correction to type approval no.:</i> --

Gründe der Erweiterung / Reasons for extension

Es wird geändert /
It will be changed: --

Es wird aktualisiert /
It will be updated: --

0. Allgemeine Angaben / General information

- 0.1. Fabrikmarke / Make: MILLTEK
- 0.2. Typ / Type: MSFD194-196
- 0.2.1. Varianten (Anzahl) /
Variants (numbers): MSFD194-MSFD196 (1)
- 0.5. Name und Anschrift des
Herstellers /
Name and address of
manufacturer: MILLTEK SPORT LTD
Belfield Industrial Estate, Ilkeston
GB-Derbyshire DE7 8DU
- 0.6. Nr. der Beschreibungsmappe/
No. of information document: MSFD194-196
- Ausgabedatum / Date: 03.09.18
1. Beschreibung der Fahrzeuge, für
die die Einrichtung bestimmt ist /
Description of the vehicles
the unit is used for: siehe Anlage 2 / notice enclosure 2

2. Angaben zum Prüfobjekt / Composition of the separate technical unit

- 2.1. Art des Ersatzschalldämpfers / Kind of replacement silencer:
Technische Einheit, bestehend aus einem Vorschalldämpfer nach Zeichnung Nr. A1628, oval LW 102 x LW 175 x 300 mm, Absorptionsprinzip, und einem Nachschalldämpfer nach Zeichnung Nr. A1629, oval LW 166 x LW 217 x 500 mm, Absorptionsprinzip, mit Eintritts- und Austrittsrohren gem. Anlage 1. /
Technical unit, consisting of a front silencer according to drawing no. A1628, oval inside 102 x inside 175 x 300 mm, absorption-principle, and a rear silencer according to drawing no. A1629, oval inside 166 x inside 217 x 500 mm, absorption-principle, with inlet and outlet pipes according to enclosure 1.
- 2.2. Zusammensetzung der technischen Einheit /
Composition of the separate technical unit: siehe Anlage 1 / notice enclosure 1
- 2.3. Lage und Richtung der Endrohre /
Position and direction of the tail pipes: am Fahrzeugende rechts nach hinten /
at the rear of the vehicle at the right side

3. Prüfprotokoll / Test report

Die Prüfungen wurden in 1 Versuchsreihe A mit folgendem Fahrzeug durchgeführt. /
The tests were carried out in 1 series A with the following vehicle:

Versuchsreihe A / series A: (Ifd. Nr. / no. 1, Meßdatum / Date 20.08.18)

3.1. Fahrzeug / Vehicle

- 3.1.1. Hersteller / Manufacturer: FORD (D)
- 3.1.2. Typ / Type: JA8
- 3.1.2.1 Variante / Variant: JTJC1C
- 3.1.3. Genehmigungs-Nr. / Homologation no.: e9*2001/116*0069*
- 3.1.3.1 Nachtrag bzw. Erweiterung / Extension: 24
- 3.1.4. Fahrzeugidentifizierungsnummer /
Vehicle identification no.: WF0CXXGAKCHP36173
- 3.1.5. Baujahr / Year of manufacture: 2017
- 3.1.6. km-Stand / Kilometres: 20300

3. Prüfprotokoll (Fortsetzung) / Test report (continuation)

3.2. Antriebsmaschine / Engine

- 3.2.1. Hersteller / Manufacturer: FORD
- 3.2.2. Typ / Type: JTJC
- 3.2.3. Kennzeichnung / Identification: JTJC
- 3.2.4. Nennleistung /
Rated maximum engine power: 147 kW bei / at 6000 min⁻¹
- 3.2.5. Hubraum (abgerundet) /
Engine capacity: 1596 cm³

3.3. Kraftübertragung / Transmission

- 3.3.1. Art der Kraftübertragung /
Kind of transmission: 6-Gang-Handschaltgetriebe /
6 speed-manual-transmission
- 3.3.2. Reifengröße / Tyre size: 205/40 R17 84V

Das Kraftfahrzeug war ausgerüstet mit einem fabrikneuen Ersatzschalldämpfer /
The vehicle was equipped with a new replacement silencer

Typ / Type: MSFD194-196

Zusammenbau lt. Anlage 1 /
Assembly (positions see enclosure 1): 1)2a)3a)4a)5a)

3.4. Messung der Geräuschwerte / Acoustic measurements

- 3.4.1. Typ des Meßgerätes /
Type of the sound level meter: 2236
- 3.4.2. Hersteller des Meßgerätes /
Manufacturer of the sound
level meter: Brüel & Kjaer

3. Prüfprotokoll (Fortsetzung) / Test report (continuation)

3.4.3. Fahrgeräusch /

Sound level moving vehicle:

gem. VO (EU) Nr. 540/2014 vom
16.04.2014 /
according Regulation (EU) No.
540/2014 dated 16.04.2014

3.4.4. Standgeräusch /

Sound level stationary vehicle:

gem. VO (EU) Nr. 540/2014 vom
16.04.2014 /
according Regulation (EU) No.
540/2014 dated 16.04.2014

3.4.5. Auspuffmündungsgeräusch /

Tail pipe sound level:

entfällt / not applicable

3.5. Messung des Abgasgedrucks / Measuring of exhaust back pressure

3.5.1. Typ des Meßgerätes /

Type of the instrument:

CPH6200-S2

3.5.2. Hersteller des Meßgerätes /

Manufacturer of the instrument:

WIKA

3.5.3. Meßmethode / Testing methods:

im 2. Gang / in 2nd gear

**3.6. Konditionierung der Aus-
puffschalldämpferanlage /
Conditioning**

durch Druckschwingungen /
by pulsation

3. Prüfprotokoll (Fortsetzung) / Test report (continuation)

3.7. Ergebnisse / Test results

3.7.1. Das Ergebnis der Prüfungen ist der als Anlage 3 beigefügten Tabellen zu entnehmen. / *The test results are attached in the enclosure 3.*

3.7.2 Die beschriebene technische Einheit (Austauschschalldämpfer) darf an den in der Anlage 2 aufgeführten Kraftfahrzeugen unter den dort genannten Bedingungen verwendet werden. / *The described technical unit (replacement silencer) is suitable for an application at the vehicles named in enclosure 2.*

4. Anlagen / Enclosures

Anlage 1 Teile der technischen Einheit (1 Seite / Page)
Enclosure 1 Composition of the separate technical unit

Anlage 2 Verwendungsbereich (1 Seite / Page)
Enclosure 2 Field of application

Anlage 3 Ergebnis der Prüfungen (5 Seiten / Pages)
Enclosure 3 Test results

5. Schlußbescheinigung / Summary

Die unter Ziffer 0.6 erwähnte Beschreibungsmappe und der darin beschriebene Typ entsprechen der genannten Prüfgrundlage.

Der ungünstigste Fall wurde entsprechend Prozessbeschreibung „Erstellung von Gutachten“ bestimmt.

Der Prüfbericht darf nur vom Auftraggeber und nur in vollem Wortlaut vervielfältigt und weitergegeben werden. Eine auszugsweise Vervielfältigung und Veröffentlichung des Prüfberichtes ist nur nach schriftlicher Genehmigung des Prüflaboratoriums zulässig. /

The information folder stated at item 0.6 and the type described therein are in compliance with the test specification mentioned above.

The worst-case was selected in accordance with document "Preparation of Test Reports".

The test report may be reproduced and published in full and by the client only. It can be reproduced partially with the written permission of the test laboratory only.

5. **Schlußbescheinigung** (Fortsetzung) / **Summary** (continuation)

Benannt als Technischer Dienst durch /
designated as Technical Service by:

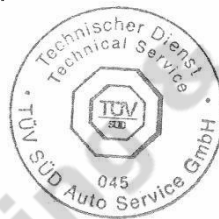
Genehmigungsbehörde / Approval authority	Land / Country	Registriernummer / Registration-number
Kraftfahrt-Bundesamt (KBA)	Deutschland/ Germany	KBA-P 00100-10
Vehicle Certification Agency (VCA)	Vereintes Königreich/ United Kingdom	VCA-TS-006
Approval Authority of the Netherlands (RDW)	Niederlande/ The Netherlands	RDWT-082-XX
National Standards Authority of Ireland (NSAI)	Irland/ Ireland	Technical Service Number: 49

Dieser Bericht umfasst Seite 1 bis 7. /
This test report contains the pages 1 up to 7.

München, 04.09.18



Dipl.-Ing. (FH) P. Kallen
Sachverständiger / *Recognized Expert*
pk
MSFD194-196_540-2014_0.doc





Auto Service

Prüfbericht Nr. / Test report No.: 18-00076-VA-GBM-00
 Hersteller / Manufacturer: MILLTEK SPORT LTD, GB-Derbyshire DE7 8DU
 Typ / Type: MSFD194-196

ANLAGE 1 ENCLOSURE 1

Teile der technischen Einheit + Originalteile/Ersatzteile = Gesamtauspuffanlage / Composition of the separate technical unit

Lfd. Nr. nach Zeichnung / No. see in drawing	Einzelteile, Abmessungen in mm / Components parts, dimensions in mm	Abmessungen des Teiles in mm bzw. Originalteil / Ersatzteil / Dimensions of the part in mm or original part / replacement part	Teilenummer bzw. Genehmigungsnummer / Part no. or homologation no.
1)	Krümmen mit Katalysator / Manifold with catalyst	Originalteile/ Original parts	-
2a)	Vorschalldämpfer / Front silencer (Eintrittsrohr / Inlet pipe Ø 70) Austrittsrohr / Outlet pipe Ø 70)	oval LW / inside 102 x LW / inside 175 x 300 lg	MSFD194
3a)	Zwischenrohr / Intermediate pipe	Ersatzteil / Replacement part	MSFD195
4a)	Nachschalldämpfer / Rear silencer (Eintrittsrohr / Inlet pipe Ø 70) 2 Austrittsrohre / Outlet pipes Ø 50,8)	oval LW / inside 166 x LW / inside 217 x 500 lg	MSFD196
5a)	2 Endrohre / Tail pipes (gem. Zeichnung / acc. drawing AT1109)	Ersatzteile / Replacement parts	MSVW370, MSTIP177, MSTIP192, MSTIP220, MSTIP224

MSFD194-196_540-2014_1.doc



Auto Service

Prüfbericht Nr. / Test report No.: 18-00076-VA-GBM-00
 Hersteller / Manufacturer: MILLTEK SPORT LTD, GB-Derbyshire DE7 8DU
 Typ / Type: MSFD194-196

ANLAGE 2 ENCLOSURE 2

Verwendungsbereich (Fahrzeugdaten) / Field of application

Lfd. Nr. Fahrzeug /	Hersteller /	Fabrikmarke /	Handelsbezeichnung /	Fahrzeugtyp (und Genehmigungsnummer) /	Fahrzeugklasse /	Motortyp (Verbrennungsverfahren) /	Art des Motors /	Hubraum in cm ³ /	Nennleistung in kW/min ⁻¹ /	Anordnung entspr. Anlage 1 lfd. Nr. /
No. of vehicle	Manufacturer	Trade mark	Commercial description	Vehicle type (and no. of homologation)	Category of vehicle	Engine type (type of combustion)	Stroke	Engine capacity in cm ³	Rated maximum engine power in kW/min ⁻¹	Composition as shown in enclosure 1 no.
1										
laufende Nummer der Anlage zum EG-Typgenehmigungsbogen / No. addendum to EC Type-approval certificate										
		2	3	4	5	6	7	8	9	10
1)	FORD (D)	Ford	Fiesta ST200	JA8 (e9*...*0069*)	M1	JTJC	Otto / spark ignition 4-Takt / 4-stroke	1596	147/6000	1)2a)3a)4a)5a)

MSFD194-196_540-2014_2.doc



Auto Service

Prüfbericht Nr. / Test report No.: 18-00076-VA-GBM-00
 Hersteller / Manufacturer: MILLTEK SPORT LTD, GB-Derbyshire DE7 8DU
 Typ / Type: MSFD194-196

ANLAGE 3 ENCLOSURE 3

Ergebnis der Prüfungen - Zusammenfassung / Test results - Summary

Lfd. Nr. Fahrzeug /	Anzahl der Gänge / Automatik /	Benutzte Gänge /	Übersetzung Achsgetriebe /	EG-Typgenehmigungsbez. Geräusch /	Geräuschwerte in dB(A) / Sound level values in dB(A)		stehendes Fahrzeug / stationary vehicle				Abweichung Abgasgegen- druck in % / Variation in back-press. in %			
					Ersatz gemessen /	Serie gemessen /	Fahrz. - Genehmigung /	km/h	Grenzwert *)	Ersatz gemessen /		Serie gemessen /	Fahrz. - Genehmigung /	bei min ⁻¹
No. of vehicle	Number of gear ratios / automatic transmission	Gear ratios employed	Drive-axle ratios	EC-homologation to the sound level	Repl.-measured L _{urban}	Original measured L _{urban}	Vehicle type homologation L _{urban}	km/h	limit value *) L _{urban} Ph1 PMR<120	Repl.-measured	Original measured	Vehicle type homologation	at min ⁻¹	(Werte / Values in mbar)
laufende Nummer der Anlage zum EG-Typgenehmigungsbogen / No. addendum to EC Type-approval certificate														
1.7. -- 1.9.1 1.9.2 1.10														
1)	6 / -	4. (+1)	4,067	e9*540/2014* 540/2014A*14259	70	70	68	50	72	88	86	84	3750	- 25 (60/45)

Prüfbericht Nr. / Test report No.: 18-00076-VA-GBM-00
 Hersteller / Manufacturer: MILLTEK SPORT LTD, GB-Derbyshire DE7 8DU
 Typ / Type: MSFD194-196

ANLAGE 3 ENCLOSURE 3

Ergebnis der Prüfungen - Ersatzsystem – Versuchsreihe A / Test results – Replacement system – test series A

Gewichte und Abmessungen / Weights and dimensions:	
Leergewicht / Inertia Weight	m _{ro} in kg 1163
Testgewicht / Test weight	m _t in kg 1238
Fahrzeulänge / Length of vehicle	l _{veh} in m 3,982
Leistungsgewicht / Power to mass ratio	PMR in kW/t 118,7
Fahrzeugbezugspunkt / Vehicle reference point	Front
Referenzbeschleunigung / Reference acceleration	a _{wot ref} in m/s ² 1,89
Sollbeschleunigung / Target acceleration	a _{urban} in m/s ² 1,22
Länge Vorbeschleunigung / Pre-acceleration length	in m 0

Berechnung Gangwahl / Determination choosen gear	
Getestete Gänge / tested_gears	i / i+1 3
Geschwindigkeit / Velocity	v _{AA} in km/h 46,0
Geschwindigkeit / Velocity	v _{BB} in km/h 58,3
Beschleunigung / acceleration	a _{wot test} in m/s ² 2,06
Gangwahl / Chooosen gear	<input type="checkbox"/> i <input checked="" type="checkbox"/> i + 1
bei 1 Gang / at only 1 gear	kp 0,06
bei 2 Gängen / at 2 gears	kp -
	k -

Anmerkung / Remark	Fall c / Case c: a _i > 2 m/s ² & a _{i+1} > a _{urban} → Gang i+1 nehmen / choosen gear i + 1

Umgebungsgeräusch / Ambient noise	dB(A)	46,0
Differenz zw. Hintergrundgeräusch und zu messendem Geräusch / Difference betw. ambient noise and testing noise level	dB(A)	>15
Korrekturfaktor / Correction factor	dB(A)	0

Prüfbericht Nr. / Test report No.: 18-00076-VA-GBM-00
 Hersteller / Manufacturer: MILLTEK SPORT LTD, GB-Derbyshire DE7 8DU
 Typ / Type: MSFD194-196

ANLAGE 3 ENCLOSURE 3

Ergebnis der Prüfungen - Ersatzsystem – Versuchsreihe A / Test results – Replacement system – test series A

Messungen und Berechnung der Vorbeifahrtmessung / Tests and Calculation Passby noise level

Gang / Stufe / Gear / pos.	Beschl. Vorbeifahrt Gang i / Accel. Driving noise level (gear i)			Konstante Vorbeifahrt Gang i / Constant driving noise level (gear i)			
	$w_{0, test(i)}$	Links / left dB(A)	Rechts / right dB(A)	$a_{wot, test(i)}$ m/s ²	V_{P-P} km/h	$a_{crt, test(i)}$	V_{P-P} km/h

Gang / Stufe / Gear / pos.	Beschl. Vorbeifahrt Gang i+1 / Accel. Driving noise level (gear i+1)			Konstante Vorbeifahrt (Gang i+1) / Constant driving noise level (gear i+1)			
	$w_{0, test(i+1)}$	Links / left dB(A)	Rechts / right dB(A)	$a_{wot, test(i+1)}$ m/s ²	V_{P-P} km/h	$a_{crt, test(i+1)}$	V_{P-P} km/h
4	70,0	70,3	70,3	1,44	50,4	67,7	49,7
4	69,9	70,1	70,1	1,45	49,6	67,3	49,9
4	69,7	70,7	70,7	1,32	50,7	67,4	49,8
4	70,8	70,2	70,2	1,51	50,1	67,8	50,2

Vorbeifahrtmessung Endergebnis / Passby noise level Final result

$L_{wot, rep}$ dB(A)	70,3	$L_{crt, rep}$ dB(A)	67,6
L_{urban} dB(A)	70,2	Grenzwert / Limit dB(A)	72
			<input checked="" type="checkbox"/> OK
			<input type="checkbox"/> NOK

Standgeräusch / Stationary noise level / n= 3750min⁻¹

Gang / Stufe / Gear / pos.	Links / left dB(A)	Rechts / right dB(A)	max. zulässig / max. allowed
Test 1		87,8	
Test 2		87,9	
Test 3		88,4	
Ergebnis / Result	88		<input checked="" type="checkbox"/> OK
			<input type="checkbox"/> NOK

Prüfbericht Nr. / Test report No.: 18-00076-VA-GBM-00
 Hersteller / Manufacturer: MILLTEK SPORT LTD, GB-Derbyshire DE7 8DU
 Typ / Type: MSFD194-196

ANLAGE 3 ENCLOSURE 3

Ergebnis der Prüfungen – Serie / Test results – Original system

Gewichte und Abmessungen / Weights and dimensions:		
Leergewicht / Inertia Weight	m _{ro} in kg	1163
Testgewicht / Test weight	m _t in kg	1238
Fahrzeulänge / Length of vehicle	l _{veh} in m	3,982
Leistungsgewicht / Power to mass ratio	PMR in kW/t	118,7
Fahrzeugbezugspunkt / Vehicle reference point		Front
Referenzbeschleunigung / Reference acceleration	a _{wot ref} in m/s ²	1,89
Sollbeschleunigung / Target acceleration	a _{urban} in m/s ²	1,22
Länge Vorbeschleunigung / Pre-acceleration length	in m	0

Berechnung Gangwahl / Determination choosen gear		
Getestete Gänge / tested gears	i / i+1	3 4
Geschwindigkeit / Velocity	v _{AA} in km/h	46,0 47,5
Geschwindigkeit / Velocity	v _{BB} in km/h	58,3 55,3
Beschleunigung / acceleration	a _{wot test} in m/s ²	2,06 1,29
Gangwahl / Choosen gear		<input type="checkbox"/> i <input checked="" type="checkbox"/> i + 1
bei 1 Gang / at only 1 gear	kp	0,06
bei 2 Gängen / at 2 gears	kp	-
	k	-

Anmerkung / Remark	Fall c / Case c: a _i > 2 m/s ² & a _{i+1} > a _{urban} → Gang i+1 nehmen / choosen gear i + 1

Umgebungsgeräusch / Ambient noise	dB(A)	46,0
Differenz zw. Hintergrundgeräusch und zu messendem Geräusch / Difference betw. ambient noise and testing noise level	dB(A)	>15
Korrekturfaktor / Correction factor	dB(A)	0



Prüfbericht Nr. / Test report No.: 18-00076-VA-GBM-00
Hersteller / Manufacturer: MILITEK SPORT LTD, GB-Derbyshire DE7 8DU
Typ / Type: MSFD194-196

ANLAGE 3 ENCLOSURE 3

Ergebnis der Prüfungen – Serie / Test results – Original system

Messungen und Berechnung der Vorbeifahrtmessung / Tests and Calculation Passby noise level

Gang / Stufe / Gear / pos.	Beschl. Vorbeifahrt Gang i / Accel. Driving noise level (gear i)			Konstante Vorbeifahrt Gang i / Constant driving noise level (gear i)			
	$w_{0test}(i)$ Links / left dB(A)	Rechts / right dB(A)	$a_{wotest}(i)$ m/s ²	$v_{p-p}(i)$ km/h	$a_{crttest}(i)$ Links / left dB(A)	Rechts / right dB(A)	$v_{p-p}(i)$ km/h

Gang / Stufe / Gear / pos.	Beschl. Vorbeifahrt Gang i+1 / Accel. Driving noise level (gear i+1)			Konstante Vorbeifahrt (Gang i+1) / Constant driving noise level (gear i+1)			
	$w_{0test}(i+1)$ Links / left dB(A)	Rechts / right dB(A)	$a_{wotest}(i+1)$ m/s ²	$v_{p-p}(i+1)$ km/h	$a_{crttest}(i+1)$ Links / left dB(A)	Rechts / right dB(A)	$v_{p-p}(i+1)$ km/h
4	69,8	70,6	1,33	50,8	67,5	68,1	50,2
4	69,6	70,8	1,47	49,8	67,1	67,9	50,4
4	70,1	70,5	1,45	50,1	67,3	67,4	49,9
4	70,4	70,3	1,40	49,7	67,6	67,6	50,1

Vorbeifahrtmessung Endergebnis / Passby noise level Final result

$L_{wotest,rep}$ dB(A)	70,6	$L_{crt,rep}$ dB(A)	67,8
L_{urban} dB(A)	70,4	Grenzwert / Limit dB(A)	72
			<input checked="" type="checkbox"/> OK
			<input type="checkbox"/> NOK

Standgeräusch / Stationary noise level / n= 3750min⁻¹

Gang / Stufe / Gear / pos.	Links / left dB(A)	Rechts / right dB(A)	max. zulässig / max. allowed
Test 1		85,8	
Test 2		85,6	
Test 3		85,8	
Ergebnis / Result		86	--
			<input checked="" type="checkbox"/> OK
			<input type="checkbox"/> NOK

MSFD194-196_540-2014_3.doc

Beschreibungsbogen Nr. MSFD194-196 betreffend die EU-Typgenehmigung von Austauschschalldämpferanlagen für Kraftfahrzeuge als selbständige technische Einheit (Verordnung (EU) Nr. 2017/1576) / Information Document No. MSFD194-196 relating to EU type-approval as separate technical unit of replacement silencing systems for motor vehicles (Regulation (EU) No. 2017/1576)

Blatt / Page 1

0. Allgemeines / General informations

- 0.1. Fabrikmarke / Make: MILLTEK
- 0.2. Typ und allgemeine Handelsbezeichnung(en) / Type and commercial designations: MSFD194-196
(MSFD194 - Front silencer
MSFD196 - Rear silencer)
- 0.3./ 0.3.1 Art und Ort der Kennzeichnung / Kind and place of marking: Typschild auf der Unterseite der Schalldämpfer / Type shield at the silencers below
- 0.5. Name und Anschrift des Herstellers / Name and address of manufacturer: MILLTEK SPORT LTD
Belfield Industrial Estate Ilkeston,
GB-Derbyhire DE7 8DU
- 0.5.1 Anschrift(en) der Fertigungsstätten / Address of making plant: siehe 0.5. / see 0.5.
- 1. Beschreibung des Fahrzeugs, für das die Einrichtung bestimmt ist / Description of the vehicles the unit is used for:**
- 1.1. Fabrikmarke / Make: siehe Anlage 2 des Technischen Berichts / see enclosure 2 of the test report
- 1.2. Typ und allgemeine Handelsbezeichnungen / Type and commercial designations: siehe Anlage 2 des Technischen Berichts / see enclosure 2 of the test report
- 1.3. Merkmale zur Typidentifizierung, sofern vorhanden / Means of identification of type if marked: siehe Anlage 2 des Technischen Berichts / see enclosure 2 of the test report
- 1.4. Fahrzeugklasse / Category of vehicle: siehe Anlage 2 des Technischen Berichts / see enclosure 2 of the test report
- 1.5. Nummer der Fahrzeugenehmigung / Vehicle type approval number(s): siehe Anlage 2 des Technischen Berichts / see enclosure 2 of the test report

Beschreibungsbogen Nr. MSFD194-196 betreffend die EU-Typgenehmigung von Austauschschalldämpferanlagen für Kraftfahrzeuge als selbständige technische Einheit (Verordnung (EU) Nr. 2017/1576) / Information Document No. MSFD194-196 relating to EU type-approval as separate technical unit of replacment silencing systems for motor vehicles (Regulation (EU) No. 2017/1576)

Blatt / Page 2


- 1.6. Motor(en) / *Power plant(s)*: siehe Anlage 2 des Technischen Berichts / *see enclosure 2 of the test report*
- 1.6.1. Hersteller des Motors / *Manufacturer of engine(s)*: siehe Anlage 2 des Technischen Berichts / *see enclosure 2 of the test report*
- 1.6.2. Motortyp / *Manufacturers engine code*: siehe Anlage 2 des Technischen Berichts / *see enclosure 2 of the test report*
- 1.6.3. Motorleistung / *Rated maximum net power*: siehe Anlage 2 des Technischen Berichts / *see enclosure 2 of the test report*
- 1.6.4. Auflader: Originalteil oder Fabrikmarke / Kennzeichnung / *Charger: Original part or make / identification*: Originalteil / *Original part*
- 1.6.5. Luftfilter: Originalteil oder Fabrikmarke / Kennzeichnung / *Airfilter: Original part or make / identification*: Originalteil / *Original part*
- 1.6.6. Ansauggeräuschkämpfer: Originalteil oder Fabrikmarke / Kennzeichnung / *Intake noise damper: Original part or make / identification*: Originalteil / *Original part*
- 1.6.7. Auspuffschalldämpfer: Originalteil oder Fabrikmarke / Kennzeichnung / *Mufflers: Original parts or make / identification*: Originalteile / *Original parts*
- 1.6.8. Katalysator: Originalteil oder Fabrikmarke / Kennzeichnung / *Catalytic converter: Original parts or make / identification*: Originalteil / *Original part*
- 1.6.9. Partikelfilter: Originalteil oder Fabrikmarke / Kennzeichnung / *Particulate filter: Original parts or make / identification*: Originalteil / *Original part*
- 1.7. Kraftübertragung / *Transmission*
- 1.7.1. Art / *Kind*: siehe Anlage 3 des Technischen Berichts / *see enclosure 3 of the test report*
- 1.8. Geräuschminderungseinrichtungen / *Non-engine devices to reduce noise*: Originalteile / *Original parts*
- 1.9. Geräuschwerte / *Sound level values*: siehe Anlage 3 des Technischen Berichts / *see enclosure 3 of the test report*

Beschreibungsbogen Nr. MSFD194-196 betreffend die EU-Typgenehmigung von Austauschschalldämpferanlagen für Kraftfahrzeuge als selbständige technische Einheit (Verordnung (EU) Nr. 2017/1576) / Information Document No. MSFD194-196 relating to EU type-approval as separate technical unit of replacement silencing systems for motor vehicles (Regulation (EU) No. 2017/1576)

Blatt / Page 3

- 1.10. Abgasgegendruck /
Value of back pressure: siehe Anlage 3 des Technischen Berichts /
see enclosure 3 of the test report
- 1.11. Einschränkungen zur Verwendung
und Einbauanforderungen /
Any restrictions in respect of use and
Mounting requirements: siehe Einbauanleitung /
see mounting instruction
2. **Bemerkungen / Remarks:** keine / none
3. **Beschreibung dieser Einrichtung / Description of the device:**
- 3.1. Beschreibung der Ersatzauspuffanlage
mit Angabe der Anordnung / Description
of replacement exhaust system incl.
composition: siehe Anlagen des Beschreibungsbogens /
see enclosures of information document
- 3.2. Detaillierte Zeichnungen jedes Bauteils, aus denen Anordnung und Merkmale hervorgehen. In diesen Zeichnungen ist die für die vorgeschriebene Anbringung des ECE-Typgenehmigungszeichens vorgesehene Stelle anzugeben / Detailed drawings of every part to see composition and means. In these drawings the place of the type-approval-sign is to mark.

<u>Anlagen / Enclosures</u>	<u>Zeichnungsnr. / no. of drawing:</u>	<u>Datum / Date:</u>
Zeichnung Gesamtanlage / Drawing exhaust system:	T0053	06.07.17
Zeichnungen der Bauteile der zu genehmigenden techn. Einheit / Drawing of parts of the separate technical unit:	A1628	15.05.13
	A1629	15.05.13
	AT1109	17.05.11
Einbauanleitung / Mounting instructions	1 Seite / Page	-

Datum / Date:	03.09.18
Unterschrift / Sign:	
Stellung im Unternehmen / Position in company:	General Manager

DRAWING No.
T0053

REV	DATE	REVISION DETAILS	SIGN
A	18/06/2013	SYSTEM DRAWING PRODUCED ON CAD	DJM
B	06/07/2017	DETAILS FOR EU6 JTJB ENGINE CODE ADDED	DJM

MSFD196

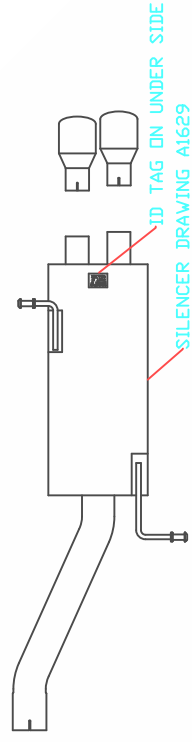
ø70.0 INLET PIPEWORK
ø50.8 OUTLET PIPEWORK

MSFD194

ø70.0 INLET PIPEWORK
ø70.0 OUTLET PIPEWORK

MSFD195

ø70.0 PIPEWORK



SILENCER DRAWING A1628

I.D. TAG INFO

MILLTEK	40.0
PART N°	
E24 *****	
BATCH N°	
MADE IN ENGLAND	40.0

MSVW370 X 2
POLISH
MSTIP177 X 2
BLACK
MSTIP192 X 2
Ti "BRUSHED"
MSTIP220 X 2
Ti "BURNT"
MSTIP224 X 2
CARBON FIBRE

© This drawing is the property of
Milltek Sport Ltd
may only be used with permission.

FORD FIESTA ST 2013 - 2015 EU5 JTJA
FORD FIESTA ST 2016 - EU6 JTJB

ALL DIMENSIONS IN MM U. D. S.

MILLTEK SPORT LTD
BELFIELD INDUSTRIAL ESTATE
ILKESTON, DERBYSHIRE, DE7 8DU
TEL:-0115 8508690 FAX:-0115 9440366

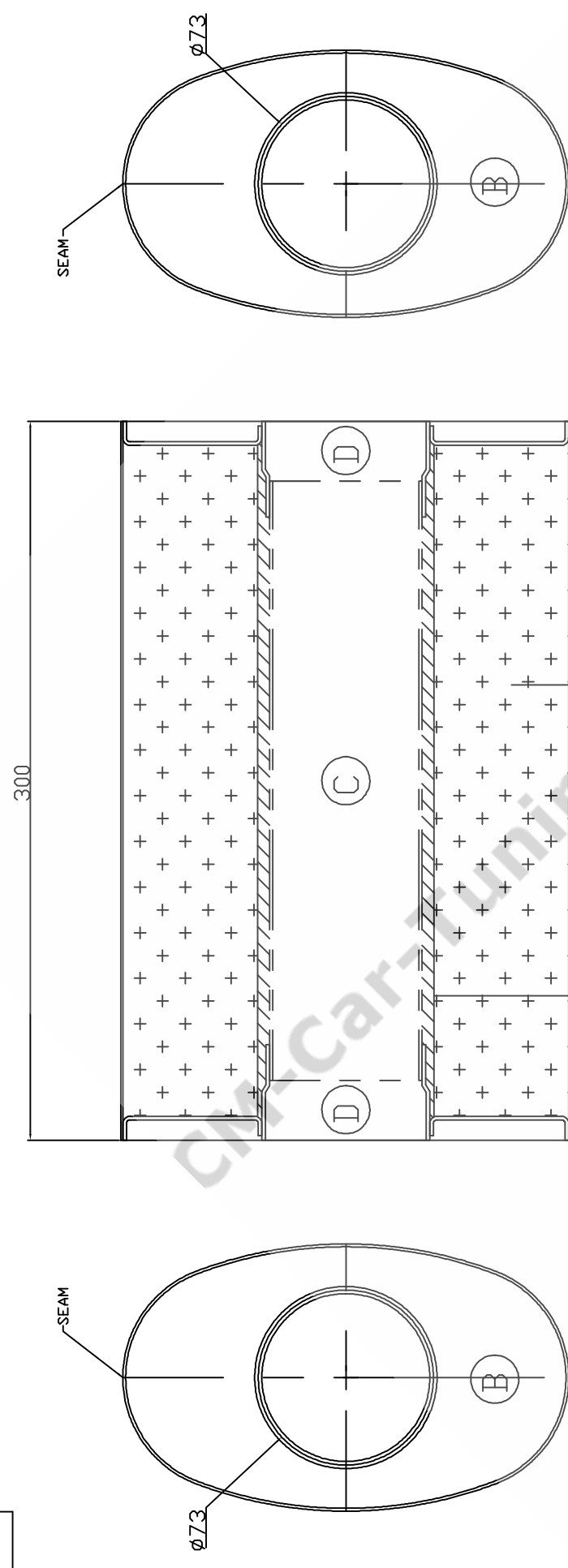
GENERAL EXHAUST ARRANGEMENT

TOLERANCES	SCALE	DRAWING No.
OPEN:- ±0.4	1:1	DJM
0.0:- ±0.25		DATE
		18/06/13
		T0053

USED ON:- FORD FIESTA ST 2013-

e24*540/2014*540/2014A*0012*00

REV A DATE 15/05/13



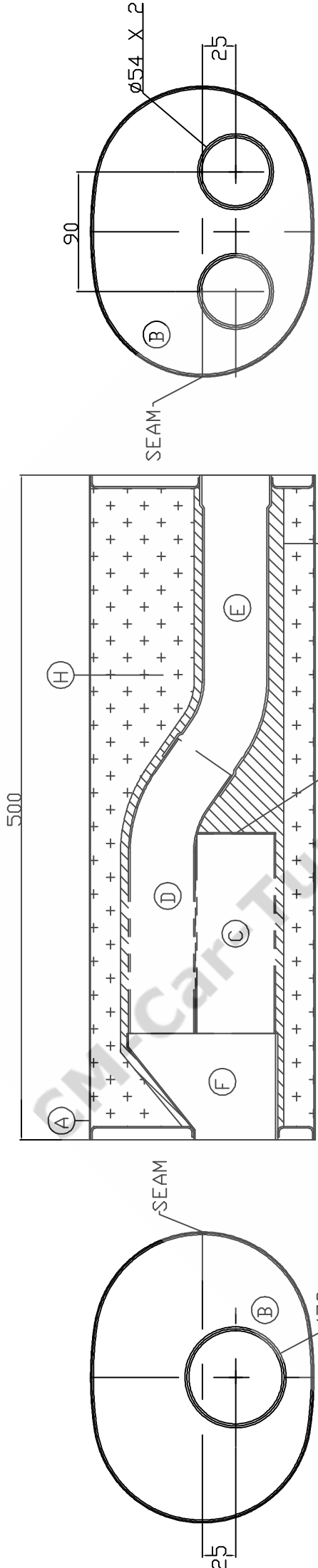
PRODUCTION RELEASE

PERF DETAIL
 $\phi 3.0$ HOLES ON A 5.0 TRIANGULAR PITCH
 60:1 PATTERN - 32% OPEN AREA

F	ECR CE FIBRE	ECRCEFIBRE	1	MIN 490G / MAX 540G	FILL CHAMBER
E	WIREWOOL	WVL304	1	-	WRAP AROUND PERF TUBE AND SPOTWELDED IN PLACE
D	SLEEVE	250015304	2	$\phi 63.5 \times 40 \times 1.5$	SIZE UP WHOLE LENGTH TO 63.5 I.D & SIZE UP ONE END TO 70.0 I.D X 20.0 LONG
C	PERF TUBE	250012304P	1	$\phi 63.5 \times 250 \times 1.2$	CUT TO LENGTH.
B	ENDPLATES	B34D7X4	2	$175 \times 102 \times 1.5$	PUNCH & RAISE AS DETAIL,
A	SILENCER BODY	25120934BA	1	$300 \times 505 \times 0.9$	NOTCH AS MASTER SHEET, ROLL TO SUIT BAFFLES
ITEM DESCRIPTION		PART No	QTY	MATL	FORM
PART NUMBER: MSFD194					
ALL DIMENSIONS IN MM U. O. S.					
TOLERANCES		SCALE	DRAWN		
OPEN: ± 0.4		1:1	DJM		
0.00		1:1	DJM		
e24 * 540 / 2013		1:1	DJM		
0.00		1:1	DJM		
DRAWING No. A1628					
MILLTEK SPORT LIMITED					
BELFIELD INDUSTRIAL ESTATE					
ILKESTON, DERBYSHIRE. DE7 8DU					
TEL:-0115 8508 690 FAX:-0115 9440366					
USED ON:- FORD FIESTA ST 2013					

FRONT SILENCER

**PRODUCTION
 RELEASE**



USE SILENCER INTERNAL JIG FOR MANIPULATION AND ASSEMBLY

PERF DETAIL
 6011 PATTERN - 32% OPEN AREA

BATCH N° -----
 QTY -----

ITEM	DESCRIPTION	PART No	QTY	MATL	SIZE	FORM
I	BLANK PLATE	-	1	304	-	WELD TO END OF PERF TUBE
H	FILLING	ECR CE FIBRE	1	-	MAXIMUM 1709G	FILL CHAMBER WITH MIN 1554G / MAX 1709G
G	WIREWOOD	SSWIREWOOD	1	304	AS REQUIRED	FILL VOID BETWEEN PERFS & WRAP AROUND PERF TUBE ASSY & SPOTWELD IN PLACE
F	COLLECTOR	F20002	1	304	-	FORM ON COLLECTOR TOOLING
E	Ø2" TUBE	200015304	2	304	Ø50.8 X 300 X 1.5	BEND 35° e 190MM START. SIZE LONG END TO 5100 ID X 20MM, SIZE SHORT TO 5100 ID X 20MM
D	Ø2" PERF	200012304P	2	304	Ø50.8 X 300 X 1.2	BEND 35° e 160MM START
C	Ø2 3/8" PERF	237512304P	1	304	Ø60.3 X 150 X 1.2	-
B	ENDPLATES	B34DBX6	2	304	217 X 166 X 1.2	PUNCH & RAISE BOTH ENDPLATES AS DETAIL
A	SILENCER BODY	25120934BA	1	304	500 X 635 X 0.9	NOTCH & PUNCH AS MASTER TEMPLATE, ROLL TO SUIT BAFFLES
PART NUMBER: MSFD196						

APPROVED FOR PROD BY
 This drawing is the property of
 MILLETEK SPORT LTD and
 may only be used with permission.

MILLETEK SPORT LTD
 BELFIELD INDUSTRIAL ESTATE
 ILKESTON, DERBYSHIRE. DE7 8DU
 TEL:-0115 8508690 FAX:-0115 9440366

ALL DIMENSIONS IN MM U. O. S.
 TOLERANCES SCALE 1:1
 OPEN: ±0.4
 DRAWN DJM
 DRAWING No. A1629
 USED ON:- FORD FIESTA ST 2013
 e24*540/2013-540/2013-4110013-99
 0.000 ±0.1

DRAWING No.
AT1109

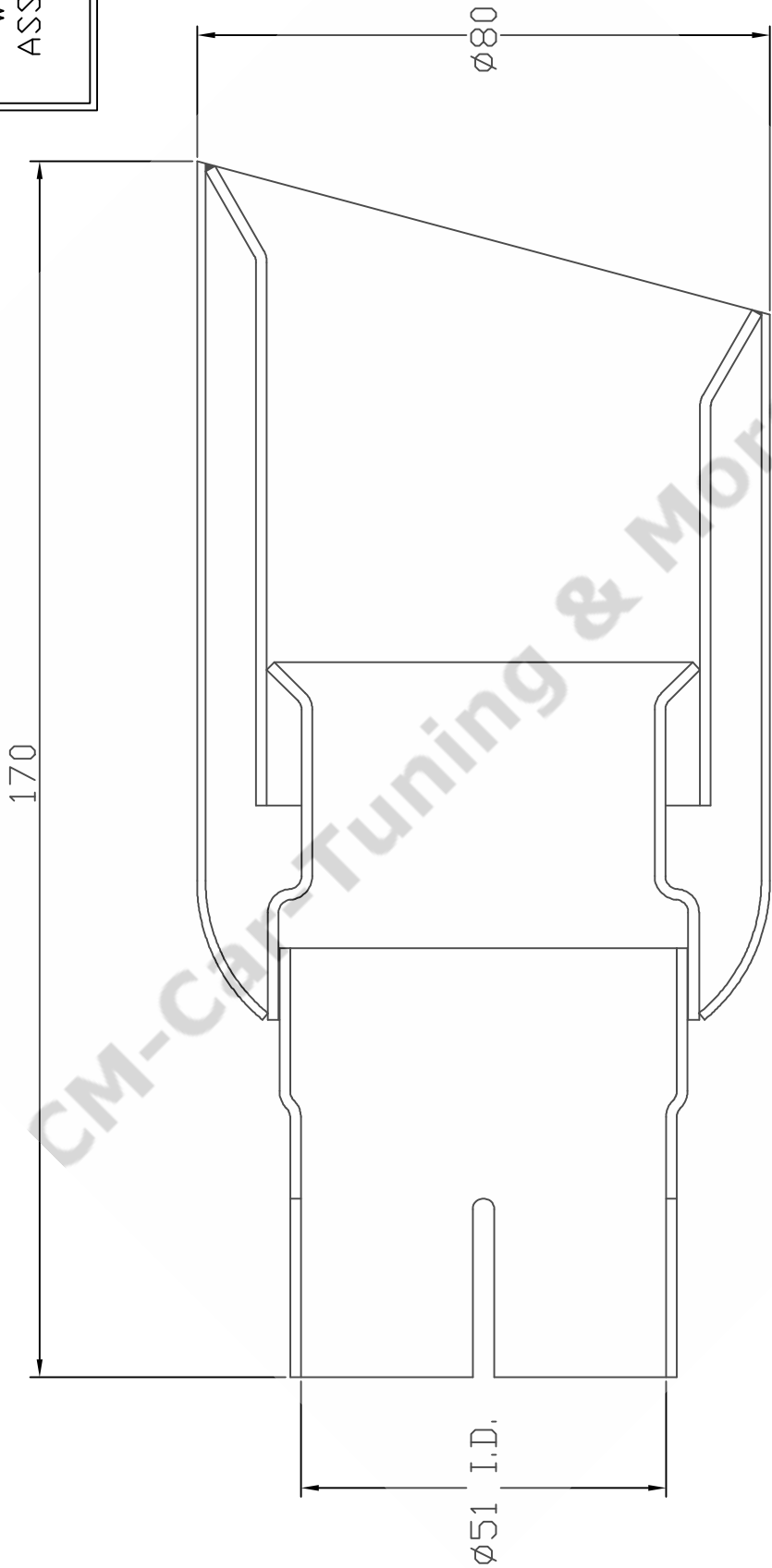
REV A
DATE 17/05/2011

REVISION DETAILS
TRIM DRAWING PRODUCED ON CAD

SIGN
DJM

PRODUCTION
RELEASE

NOTE
PLEASE ENSURE THAT
Ø2" TUBE FITS ALL
WAY THROUGH
ASSEMBLY AFTER
WELDING



This drawing is the property of Milltek Sport Limited and may only be used with permission.

APPROVED FOR PROD BY
MILLTEK SPORT LIMITED
BELFIELD INDUSTRIAL ESTATE
ILKESTON, DERBYSHIRE, DE7 8DU
TEL:-0115 8508690 FAX:-0115 9440366

B	SLEEVE	212515304	1	304	Ø54 X 60 X 1.5	SIZE ONE END UP TO Ø57 O.D. X 20MM LONG & PUNCH 4 SLOTS OPPOSITE END
A	TRIM	AT1079	1	304	BOUGHT IN COMP	-
ITEM DESCRIPTION		PART No	QTY	MATL	SIZE	FORM

DIMENSIONS IN mm U. O. S.

GT-80 TRIM ASSEMBLY

TOLERANCES
OPEN:- ±0.4
0.0:- ±0.25
SCALE 1:1
DRAWN DJM
DRAWING No. AT1109

THIRD ANGLE DATE
e24*640/2014*1540/2014A*0012/00

USED IN:-MSVW370



EINBAUANLEITUNG

Schalldämpfer ausbauen.

Schrauben und Muttern der Verbindungen sind oftmals sehr fest. Verwenden Sie Kriechöl, um die Verbindungen von Rost zu befreien.

Die Abgasanlage nicht sofort festschrauben, sondern zuerst ausrichten. Danach alle Schrauben festziehen.

Prüfen Sie anschließend, ob die Anlage gasdicht ist.

Bitte beachten Sie die beiliegenden Dokumente, Ihr Fahrzeug muss in dem Verwendungsbereich enthalten sein.

MOUNTING INSTRUCTION

Dismounting of silencer.

The screws and nuts of the pipe connections often are very strong. So you have to spray some fluid on them which removes the rust.

Don't fix the exhaust system parts at first. You have to align them at first and then you can tighten them.

Test the connections if they are gastight.

Please note attached documentation. Your vehicle must be part of the application range of the type homologation.